

## Hearth Products

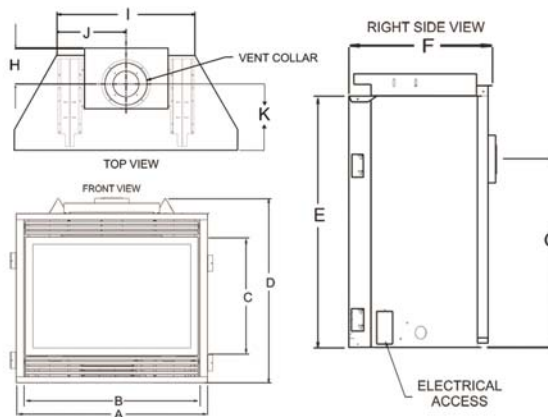
### Fireplaces - Empire

#### Traditional and Multi Sided Direct Vent

#### Tahoe Deluxe 32 - 4 x 6-5/8 Venting



	DIMENSIONS		DIMENSIONS	
A	34"	F	16 3/8"	
B	31"	G	24 1/2"	
C	23 1/16"	H	7 1/8"	
D	35 5/8"	I	21 1/2"	
E	32 3/4"	J	10 3/4"	
		K	9 1/4"	



**Tahoe Deluxe 32 Direct Vent Gas Fireplace** — Glass 27 1/2" x 20", Frame 34" x 35 5/8", Venting 4" x 6 5/8" - Requires only 16" of depth, making the Tahoe Deluxe series ideal for applications where wall cavity space is tight. All liners are made from ceramic fiber for rich detail and lasting beauty. Aged brick liners have brown bricks with charcoal mortar in running bond courses, plus smoked accents. Herringbone liners have burnt umber bricks in a herringbone pattern with light mortar plus smoked accents.

- 32", 18,000 Btu with 5-piece hand painted log set
- Specify LP or natural gas
- Direct ignition models include LP conversion kit
- Outer frame kit required for standard mantels

Several designer options available, contact our Customer Service Department for more information.

PART NUMBER	DESCRIPTION
LP-DVD32FP30P	FIREPLACE-TAHOE DELUXE 32" DV MILLI 18K BTU LP NO BLOWER
LP-DVD32FP31N	FIREPLACE-TAHOE DELUXE 32" DV MILLI 18K BTU NAT BLOWER
LP-DVD32FP31P	FIREPLACE-TAHOE DELUXE 32" DV MILLI 18K BTU LP BLOWER
LP-DVD32FP34N	FIREPLACE-TAHOE DELUXE 32" DV MILLI 18K BTU NAT BLOWER
LP-DVD32FP70N	FIREPLACE-TAHOE DELUXE 32" DV IP 18K BTU NAT NO BLOWER
LP-DVD32FP70P	FIREPLACE-TAHOE DELUXE 32" DV IP 18K BTU LP NO BLOWER
LP-DVD32FP71N	FIREPLACE-TAHOE DELUXE 32" DV IP 18K BTU NAT BLOWER
LP-DVD32FP71P	FIREPLACE-TAHOE DELUXE 32" DV IP 18K BTU LP BLOWER

**Hearth Products**

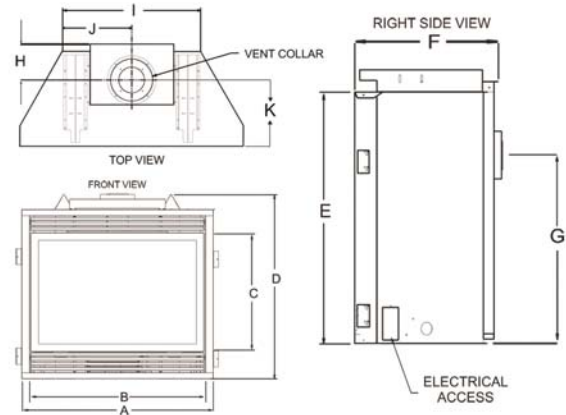
**Fireplaces - Empire**

**Traditional and Multi Sided Direct Vent**

**Tahoe Deluxe 36 - 4 x 6-5/8 Venting**



	DIMENSIONS		DIMENSIONS	
A	37"	F	16 3/8"	
B	34"	G	24 1/2"	
C	23 1/16"	H	7 1/8"	
D	35 5/8"	I	24 1/2"	
E	32 3/4"	J	12 1/4"	
		K	9 1/4"	



**Tahoe Deluxe 36 Direct Vent Gas Fireplace** — Glass 30 1/2" x 20", Frame 37" x 35 5/8", Venting 4" x 6 5/8" - Requires only 16" of depth, making the Tahoe Deluxe series ideal for applications where wall cavity space is tight. All liners are made from ceramic fiber for rich detail and lasting beauty. Aged brick liners have brown bricks with charcoal mortar in running bond courses, plus smoked accents. Herringbone liners have burnt umber bricks in a herringbone pattern with light mortar plus smoked accents.

- 36", 20,000 Btu with 5-piece hand painted log set
- Specify LP or natural gas
- Direct ignition models include LP conversion kit
- Outer frame kit required for standard mantels

Several designer options available, contact our Customer Service Department for more information.

PART NUMBER	DESCRIPTION
LP-DVD36FP30P	FIREPLACE-TAHOE DELUXE 36" DV MILLI 20K BTU LP NO BLOWER
LP-DVD36FP31N	FIREPLACE-TAHOE DELUXE 36" DV MILLI 20K BTU NAT BLOWER
LP-DVD36FP31P	FIREPLACE-TAHOE DELUXE 36" DV MILLI 20K BTU LP BLOWER
LP-DVD36FP34N	FIREPLACE-TAHOE DELUXE 36" DV MILLI 20K BTU NAT BLOWER
LP-DVD36FP70N	FIREPLACE-TAHOE DELUXE 36" DV IP 20K BTU NAT NO BLOWER
LP-DVD36FP70P	FIREPLACE-TAHOE DELUXE 36" DV IP 20K BTU LP NO BLOWER
LP-DVD36FP71N	FIREPLACE-TAHOE DELUXE 36" DV IP 20K BTU NAT BLOWER
LP-DVD36FP71P	FIREPLACE-TAHOE DELUXE 36" DV IP 20K BTU LP BLOWER

## Hearth Products

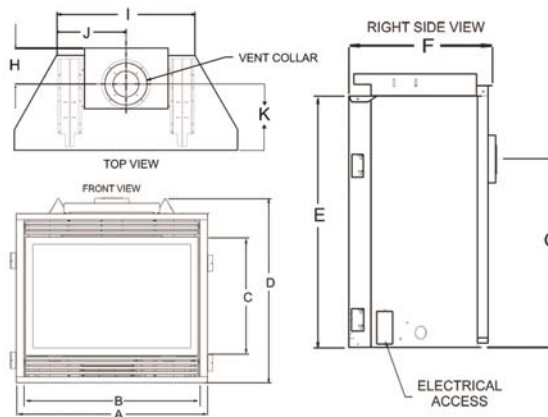
### Fireplaces - Empire

### Traditional and Multi Sided Direct Vent

### Tahoe Deluxe 42 - 4 x 6-5/8 Venting



	DIMENSIONS		DIMENSIONS	
A	43"	F	16 3/8"	
B	40"	G	26 1/2"	
C	25 1/16"	H	7 1/8"	
D	37 5/8"	I	30 1/2"	
E	34 3/4"	J	15 1/4"	
		K	9 1/4"	



**Tahoe Deluxe 42 Direct Vent Gas Fireplace** — Glass 36 1/2" x 22", Frame 43" x 37 5/8", Venting 4" x 6 5/8" - Requires only 16" of depth, making the Tahoe Deluxe series ideal for applications where wall cavity space is tight. All liners are made from ceramic fiber for rich detail and lasting beauty. Aged brick liners have brown bricks with charcoal mortar in running bond courses, plus smoked accents. Herringbone liners have burnt umber bricks in a herringbone pattern with light mortar plus smoked accents.

- 42", 25,000 Btu with 7-piece hand painted log set
- Specify LP or natural gas
- Direct ignition models include LP conversion kit
- Outer frame kit required for standard mantels

Several designer options available, contact our Customer Service Department for more information.

PART NUMBER	DESCRIPTION
LP-DVD42FP30P	FIREPLACE-TAHOE DELUXE 42" DV MILLI 25K BTU LP NO BLOWER
LP-DVD42FP31N	FIREPLACE-TAHOE DELUXE 42" DV MILLI 25K BTU NAT BLOWER
LP-DVD42FP31P	FIREPLACE-TAHOE DELUXE 42" DV MILLI 25K BTU LP BLOWER
LP-DVD42FP70N	FIREPLACE-TAHOE DELUXE 42" DV IP 25K BTU NAT NO BLOWER
LP-DVD42FP70P	FIREPLACE-TAHOE DELUXE 42" DV IP 25K BTU LP NO BLOWER
LP-DVD42FP71N	FIREPLACE-TAHOE DELUXE 42" DV IP 25K BTU NAT BLOWER
LP-DVD42FP71P	FIREPLACE-TAHOE DELUXE 42" DV IP 25K BTU LP BLOWER

**Hearth Products**

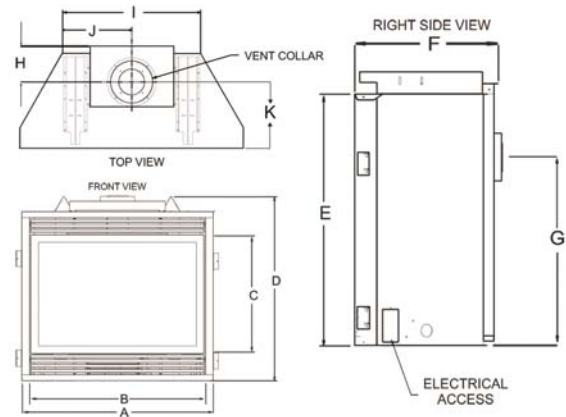
**Fireplaces - Empire**

**Traditional and Multi Sided Direct Vent**

**Tahoe Deluxe 48 - 4 x 6-5/8 Venting**



	DIMENSIONS		DIMENSIONS	
A	49"	F	16 3/8"	
B	46"	G	26 1/2"	
C	25 1/16"	H	7 1/8"	
D	37 5/8"	I	36 1/2"	
E	34 3/4"	J	18 1/4"	
		K	9 1/4"	



**Tahoe Deluxe 48 Direct Vent Gas Fireplace** — Glass 42 1/2" x 22", Frame 49" x 37 5/8", Venting 4" x 6 5/8" - Requires only 16" of depth, making the Tahoe Deluxe series ideal for applications where wall cavity space is tight. All liners are made from ceramic fiber for rich detail and lasting beauty. Aged brick liners have brown bricks with charcoal mortar in running bond courses, plus smoked accents. Herringbone liners have burnt umber bricks in a herringbone pattern with light mortar plus smoked accents.

- 48", 28,000 Btu with 7-piece hand painted log set
- Specify LP or natural gas
- Direct ignition models include LP conversion kit
- Outer frame kit required for standard mantels

Several designer options available, contact our Customer Service Department for more information.

PART NUMBER	DESCRIPTION
LP-DVD48FP30P	FIREPLACE-TAHOE DELUXE 48" DV MILLI 28K BTU LP NO BLOWER
LP-DVD48FP31P	FIREPLACE-TAHOE DELUXE 48" DV MILLI 28K BTU LP BLOWER
LP-DVD48FP70N	FIREPLACE-TAHOE DELUXE 48" DV IP 28K BTU NAT NO BLOWER
LP-DVD48FP70P	FIREPLACE-TAHOE DELUXE 48" DV IP 28K BTU LP NO BLOWER
LP-DVD48FP71N	FIREPLACE-TAHOE DELUXE 48" DV IP 28K BTU NAT BLOWER
LP-DVD48FP71P	FIREPLACE-TAHOE DELUXE 48" DV IP 28K BTU LP BLOWER

## Hearth Products

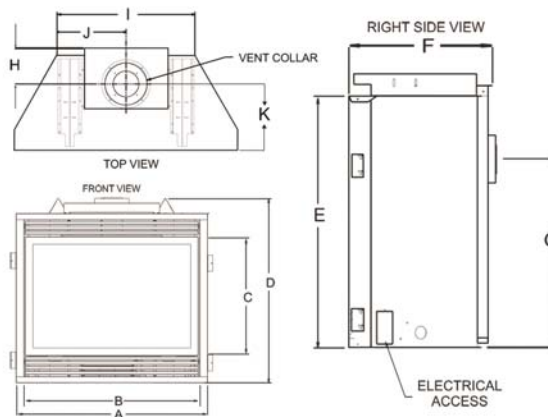
### Fireplaces - Empire

### Traditional and Multi Sided Direct Vent

### Tahoe Premium 36 - 4 x 6-5/8 Venting



	DIMENSIONS		DIMENSIONS	
A	39"	F	19 7/8"	
B	36"	G	26 1/2"	
C	25 1/16"	H	7 1/8"	
D	37 5/8"	I	22 1/2"	
E	34 3/4"	J	11 1/4"	
		K	12 3/4"	



**Tahoe Premium 36 Direct Vent Gas Fireplace** — Glass 32 1/2" x 22", Frame 39" x 37 5/8", Venting 4" x 6 5/8" - The Tahoe Premium series features a taller and deeper log stack that complements the 20" deep fireplace. All liners are made from ceramic fiber for rich detail and lasting beauty. Aged brick liners have brown bricks with charcoal mortar in running bond courses, plus smoked accents. Herringbone liners have burnt umber bricks in a herringbone pattern with light mortar plus smoked accents.

- 36", 25,000 Btu with 4-piece log set, top vent model
- 27,000 Btu
- Specify LP or natural gas
- Slope glaze burner for a rich flame pattern
- Outer frame kit required for standard mantels

Several designer options available, contact our Customer Service Department for more information.

PART NUMBER	DESCRIPTION
LP-DVP36FP30P	FIREPLACE-TAHOE PREMIUM 36" DV MILLI 25K BTU LP NO BLOWER
LP-DVP36FP31N	FIREPLACE-TAHOE PREMIUM 36" DV MILLI 27K BTU NAT BLOWER
LP-DVP36FP31P	FIREPLACE-TAHOE PREMIUM 36" DV MILLI 25K BTU LP BLOWER
LP-DVP36FP70N	FIREPLACE-TAHOE PREMIUM 36" DV IP 27K BTU NAT NO BLOWER
LP-DVP36FP70P	FIREPLACE-TAHOE PREMIUM 36" DV IP 25K BTU LP NO BLOWER
LP-DVP36FP71N	FIREPLACE-TAHOE PREMIUM 36" DV IP 27K BTU NAT BLOWER
LP-DVP36FP71P	FIREPLACE-TAHOE PREMIUM 36" DV IP 25K BTU LP BLOWER
LP-DVP36FP91N	FIREPLACE-TAHOE PREMIUM 36" DV MILLI 27K BTU NAT MULTI BLOWER
LP-DVP36FP91P	FIREPLACE-TAHOE PREMIUM 36" DV MILLI 25K BTU LP MULTI BLOWER

## Hearth Products

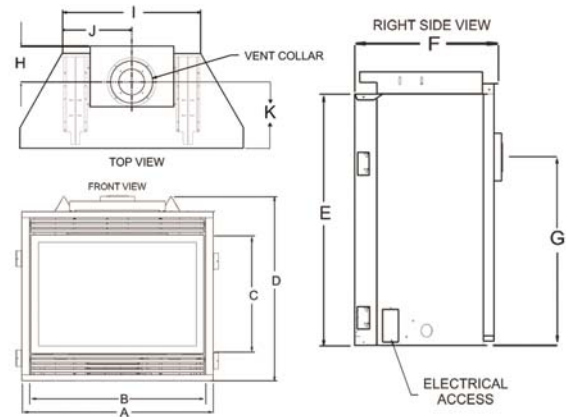
### Fireplaces - Empire

#### Traditional and Multi Sided Direct Vent

#### Tahoe Premium 42 - 5 x 8 Venting



	DIMENSIONS		DIMENSIONS	
A	43"	F	19 7/8"	
B	40"	G	26"	
C	25 1/16"	H	7 1/8"	
D	37 5/8"	I	26 1/2"	
E	34 3/4"	J	13 1/4"	
		K	12 3/4"	



**Tahoe Premium 42 Direct Vent Gas Fireplace** — Glass 36 1/2" x 22", Frame 43" x 37 5/8", Venting 5" x 8" - The Tahoe Premium series features a taller and deeper log stack that complements the 20" deep fireplace. All liners are made from ceramic fiber for rich detail and lasting beauty. Aged brick liners have brown bricks with charcoal mortar in running bond courses, plus smoked accents. Herringbone liners have burnt umber bricks in a herringbone pattern with light mortar plus smoked accents.

- 42", 25,000 Btu with 4-piece log set
- Slope glaze burner for a rich flame pattern
- Specify LP or natural gas
- Outer frame kit required for standard mantels

Several designer options available, contact our Customer Service Department for more information.

PART NUMBER	DESCRIPTION
LP-DVP42FP30N	FIREPLACE-TAHOE PREMIUM 42" DV MILLI 28K BTU NAT NO BLOWER
LP-DVP42FP30P	FIREPLACE-TAHOE PREMIUM 42" DV MILLI 28K BTU LP NO BLOWER
LP-DVP42FP31N	FIREPLACE-TAHOE PREMIUM 42" DV MILLI 28K BTU NAT BLOWER
LP-DVP42FP31P	FIREPLACE-TAHOE PREMIUM 42" DV MILLI 28K BTU LP BLOWER
LP-DVP42FP70N	FIREPLACE-TAHOE PREMIUM 42" DV IP 28K BTU NAT NO BLOWER
LP-DVP42FP70P	FIREPLACE-TAHOE PREMIUM 42" DV IP 28K BTU LP NO BLOWER
LP-DVP42FP71N	FIREPLACE-TAHOE PREMIUM 42" DV IP 28K BTU NAT BLOWER
LP-DVP42FP71P	FIREPLACE-TAHOE PREMIUM 42" DV IP 28K BTU LP BLOWER
LP-DVP42FP91N	FIREPLACE-TAHOE PREMIUM 42" DV MILLI 28K BTU NAT MULTI BLOWER
LP-DVP42FP91P	FIREPLACE-TAHOE PREMIUM 42" DV MILLI 28K BTU LP MULTI BLOWER

## Hearth Products

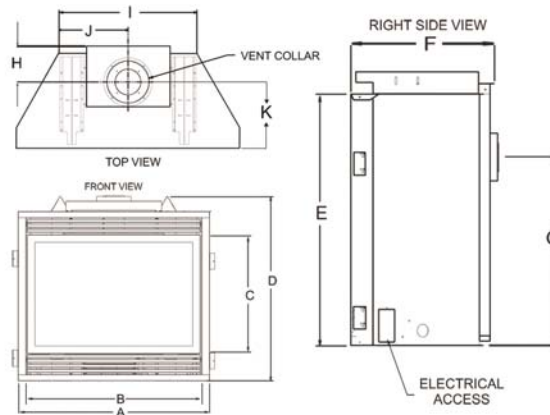
### Fireplaces - Empire

### Traditional and Multi Sided Direct Vent

### Tahoe Premium 48 - 5 x 8 Venting



	DIMENSIONS		DIMENSIONS	
A	49"	F	19 7/8"	
B	46"	G	26"	
C	25 1/16"	H	7 1/8"	
D	37 5/8"	I	32 1/2"	
E	34 3/4"	J	16 1/4"	
		K	12 3/4"	



**Tahoe Premium 48 Direct Vent Gas Fireplace** — Glass 42 1/2" x 22", Frame 49" x 37 5/8", Venting 5" x 8" - The Tahoe Premium series features a taller and deeper log stack that complements the 20" deep fireplace. All liners are made from ceramic fiber for rich detail and lasting beauty. Aged brick liners have brown bricks with charcoal mortar in running bond courses, plus smoked accents. Herringbone liners have burnt umber bricks in a herringbone pattern with light mortar plus smoked accents.

- 48", 30,000 Btu with 4-piece log set
- Specify LP or natural gas
- Slope glaze burner for a rich flame pattern
- Outer frame kit required for standard mantels

Several designer options available, contact our Customer Service Department for more information.

PART NUMBER	DESCRIPTION
LP-DVP48FP30N	FIREPLACE-TAHOE PREMIUM 48" DV MILLI 30K BTU NAT NO BLOWER
LP-DVP48FP30P	FIREPLACE-TAHOE PREMIUM 48" DV MILLI 30K BTU LP NO BLOWER
LP-DVP48FP31N	FIREPLACE-TAHOE PREMIUM 48" DV MILLI 30K BTU NAT BLOWER
LP-DVP48FP31P	FIREPLACE-TAHOE PREMIUM 48" DV MILLI 30K BTU LP BLOWER
LP-DVP48FP70N	FIREPLACE-TAHOE PREMIUM 48" DV IP 30K BTU NAT NO BLOWER
LP-DVP48FP70P	FIREPLACE-TAHOE PREMIUM 48" DV IP 30K BTU LP NO BLOWER
LP-DVP48FP71N	FIREPLACE-TAHOE PREMIUM 48" DV IP 30K BTU NAT BLOWER
LP-DVP48FP71P	FIREPLACE-TAHOE PREMIUM 48" DV IP 30K BTU LP BLOWER
LP-DVP48FP91N	FIREPLACE-TAHOE PREMIUM 48" DV MILLI 30K BTU NAT MULTI BLOWER
LP-DVP48FP91P	FIREPLACE-TAHOE PREMIUM 48" DV MILLI 30K BTU LP MULTI BLOWER

## Hearth Products

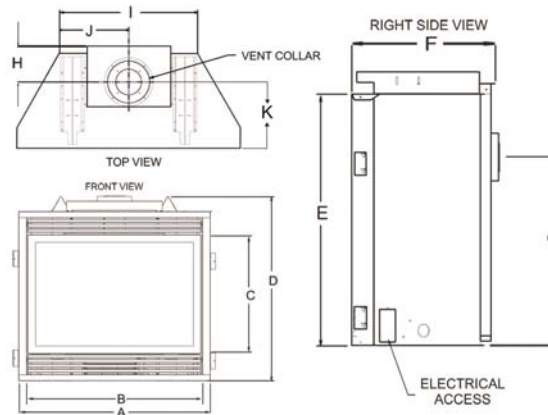
### Fireplaces - Empire

### Traditional and Multi Sided Direct Vent

### Tahoe Luxury 36 - 4 x 6-5/8 Venting



	DIMENSIONS		DIMENSIONS	
A	39"	F	19 7/8"	
B	36"	G	N/A	
C	25 1/16"	H	7 1/8"	
D	40 3/4"	I	26 1/2"	
E	34 3/4"	J	13 1/4"	
		K	12 3/4"	



**Tahoe Luxury 36 Direct Vent Gas Fireplace** — Glass 32 1/2" x 22", Frame 39" x 37 5/8", Venting 4" x 6 5/8" Top Vent Only - The Tahoe Luxury series has a larger flame and produces more heat than other Tahoe models. All liners are made from ceramic fiber for rich detail and lasting beauty. Banded brick liners have dark creamed coffee bricks with charcoal mortar in running bond courses, plus an accent band of diagonal bricks.

- 36", 30,000 Btu with 13-piece log set
- Specify LP or natural gas
- Slope glaze burner for fuller ember bed
- Features ceramic glass and dimmer controlled accent light

Several designer options available, contact our Customer Service Department for more information.

PART NUMBER	DESCRIPTION
LP-DVX36FP31LP	FIREPLACE-TAHOE LUXURY 36" DV MILLI 30K BTU LP BLOWER
LP-DVX36FP91LP	FIREPLACE-TAHOE LUXURY 36" DV MILLI 30K BTU LP MULTI BLOWER



## Hearth Products

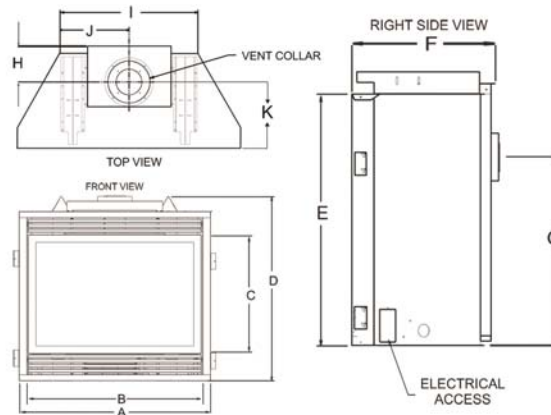
### Fireplaces - Empire

### Traditional and Multi Sided Direct Vent

### Tahoe Luxury 42 - 5 x 8 Venting



	DIMENSIONS		DIMENSIONS	
A	43"	F	19 7/8"	
B	40"	G	N/A	
C	25 1/16"	H	7 1/8"	
D	40 3/4"	I	26 1/2"	
E	34 3/4"	J	13 1/4"	
		K	12 3/4"	



**Tahoe Luxury 42 Direct Vent Gas Fireplace** — Glass 36 1/2" x 22", Frame 43" x 37 5/8", Venting 5" x 8" Top Vent Only - The Tahoe Luxury series has a larger flame and produces more heat than other Tahoe models. All liners are made from ceramic fiber for rich detail and lasting beauty. Banded brick liners have dark creamed coffee bricks with charcoal mortar in running bond courses, plus an accent band of diagonal bricks.

- 42", 35,000 Btu LP; 37,500 NAT, with 13-piece log set
- Specify LP or natural gas
- Slope glaze burner for fuller ember bed
- Features ceramic glass and dimmer controlled accent light

Several designer options available, contact our Customer Service Department for more information.

PART NUMBER	DESCRIPTION
LP-DVX42FP31LN	FIREPLACE-TAHOE LUXURY 42" DV MILLI 35K BTU NAT BLOWER
LP-DVX42FP31LP	FIREPLACE-TAHOE LUXURY 42" DV MILLI 37.5K BTU LP BLOWER
LP-DVX42FP91LN	FIREPLACE-TAHOE LUXURY 42" DV MILLI 35K BTU NAT MULTI BLOWER
LP-DVX42FP91LP	FIREPLACE-TAHOE LUXURY 42" DV MILLI 37.5K BTU LP MULTI BLOW

## Hearth Products

### Fireplaces - Empire

#### Traditional and Multi Sided Direct Vent

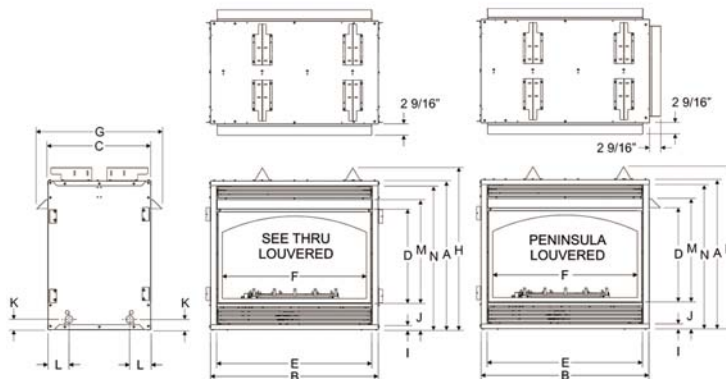
#### Tahoe DV Peninsula and See-Thru - 5 x 8 Venting



PENINSULA		DIMENSIONS		DIMENSIONS	
A	34 3/4"	H	37 3/4"		
B	37 5/8"	I	1 1/4"		
C	24"	J	6 1/8"		
D	22"	K	2 1/2"		
E	36"	L	6"		
F	32 5/8"	M	24 1/8"		
G	29 1/8"	N	33 1/2"		

SEE-THRU		DIMENSIONS		DIMENSIONS	
A	34 3/4"	H	37 3/4"		
B	37 5/8"	I	1 1/4"		
C	24"	J	6 1/8"		
D	22"	K	2 1/2"		
E	36"	L	6"		
F	29 1/4"	M	24 1/8"		
G	29 1/8"	N	33 1/2"		



**Tahoe Premium 36 Direct Vent Peninsula and See-Through Fireplace** — Venting 4" x 6 5/8" - The Slope Glaze Vista burner system features ceramic pellets inside a large burner pan to create a deep field of dancing flames. All brick liners are made from ceramic fiber for rich detail and lasting beauty. Banded brick liners have dark creamed coffee colored bricks with charcoal mortar in running bond courses, plus an accent band of diagonal bricks. The see-through system is viewable from two sides for built-in wall applications. The peninsula system is viewable from three sides, making it ideal for building into buttress walls or installing in a peninsula mantel.

- 36", 35,000 Btu, requires the Rock Creek log set (LSU24RR), sold separately
- Specify LP or natural gas
- Junction box included with firebox
- Dimmer controlled hearth accent light included

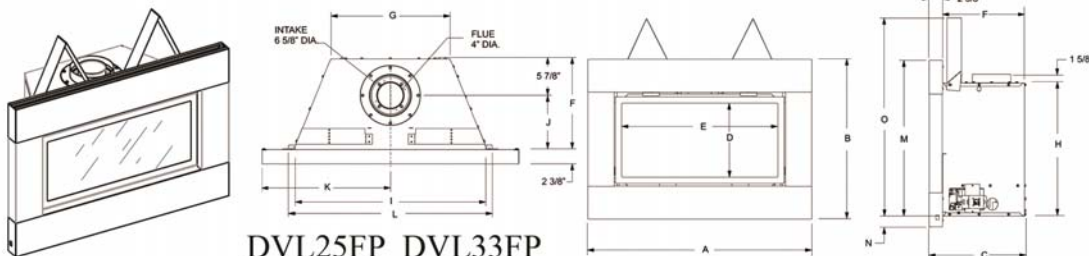
Several designer options available, contact our Customer Service Department for more information.

PART NUMBER	DESCRIPTION
LP-DVP36PP32EN	FIREPLACE-TAHOE PREMIUM 36" DV MILLI 35K BTU NAT NO BLOWER
LP-DVP36PP32EP	FIREPLACE-TAHOE PREMIUM 36" DV MILLI 35K BTU LP NO BLOWER
LP-DVP36SP32EN	FIREPLACE-TAHOE PREMIUM 36" DV MILLI 35K BTU NAT NO BLOWER
LP-DVP36SP32EP	FIREPLACE-TAHOE PREMIUM 36" DV MILLI 35K BTU LP NO BLOWER

# Hearth Products

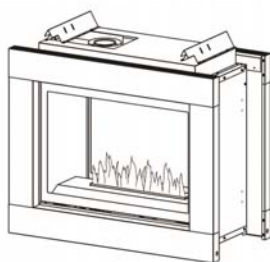
## Fireplaces - Empire

### Contemporary Loft Direct Vent

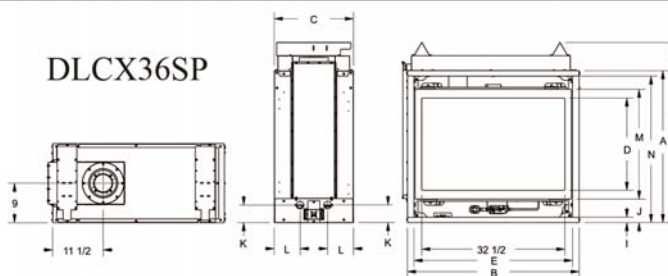


DVL25FP DVL33FP

DIMENSIONS															
MODEL	A	B	C	D	E	F	G	H	I	J	K	L	M	N	O
DVL25FP	37 1/2"	26"	14 1/4"	10 7/16"	25 1/4"	12 7/8"	17"	20 1/8"	27"	6 7/8"	18 3/4"	29"	24 3/16"	2"	31 3/8"
DVL33FP	40 1/2"	29"	16 3/4"	13 7/16"	28 1/4"	14 3/8"	18 7/8"	23 1/8"	30"	8 1/2"	20 1/4"	32"	27 3/16"	2"	34 3/8"
DLCX36SP	34 3/4"	39"	18"	21"	36"	N/A	N/A	41 1/8"	1 1/4"	5 3/8"	2 1/2"	6"	25"	33 1/2"	N/A



DLCX36SP



**Contemporary Loft Series Direct Vent Fireplaces** - Designed for in-wall or mantel installation, your Loft fireplace delivers state of the art technology for extraordinary performance. Black porcelain lines the fireplace interior creating a subtle reflective surface that enhances the appearance of depth. Flickering yellow flames dance atop the linear burner, creating a nearly infinite flame effect.

- 18,000 to 30,000 Btu
- Specify LP or natural gas
- Available in millivolt and intermittent pilot
- Installs as fireplace
- Metal surround required
- Decorative front required

Several designer options available, contact our Customer Service Department for more information.

PART NUMBER	DESCRIPTION
LP-DVL25FP32P	FIREPLACE-LOFT SMALL DV MILLI 18K BTU LP NO BLOWER
LP-DVL25FP72P	FIREPLACE-LOFT SMALL DV IP 18K BTU LP NO BLOWER
LP-DVL33FP32P	FIREPLACE-LOFT MEDIUM DV MILLI 23K BTU LP NO BLOWER
LP-DVL33FP72P	FIREPLACE-LOFT MEDIUM DV IP 23K BTU LP NO BLOWER
LP-DLCX36SP93P	FIREPLACE-LOFT SEE THRU 36" DV MILLI 30K BTU LP BLOWER

## Hearth Products

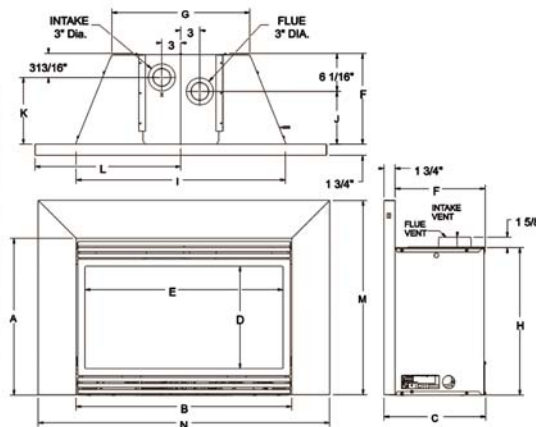
### Fireplaces - Empire

### Innsbrook Direct Vent Inserts

### Innsbrook Small Direct Vent Insert - 3 x 3 Venting



	DIMENSIONS		DIMENSIONS	
A	19 3/4"	H	18 5/16"	
B	28"	I	27"	
C	14 1/2"	J	6 3/4"	
D	11 1/8"	K	9"	
E	25 1/4"	L	20"	
F	12 3/4"	M	25 5/8"	
G	17"	N	40"	



**Innsbrook 25 Direct Vent Insert** — Glass 25 1/4" x 11 1/8", Venting 3" Flex - Innsbrook direct vent inserts fit most wood burning fireplaces. They feature banded brick liners and have dark creamed coffee colored bricks with charcoal mortar in running bond courses plus an accent band of diagonal bricks.

- 25,000 Btu with hand painted ceramic fiber logs
- Specify LP or natural gas
- Millivolt or intermittent pilot
- Includes liner
- Slope glaze flair burner produces natural flickering flames
- Requires surround and decorative front

Several designer options available, contact our Customer Service Department for more information.

PART NUMBER	DESCRIPTION
LP-DV25IN33LN	INSERT-FIREPLACE INNSBROOK DV MILLI 25K BTU NAT BLOWER
LP-DV25IN33LP	INSERT-FIREPLACE INNSBROOK DV MILLI 25K BTU LP BLOWER
LP-DV25IN73LN	INSERT-FIREPLACE INNSBROOK DV IP 25K BTU NAT BLOWER
LP-DV25IN73LP	INSERT-FIREPLACE INNSBROOK DV IP 25K BTU LP BLOWER
LP-S253BL	SURROUND-STEEL CONTEMPORARY 6" X 3" FOR 25K BTU INSERT
LP-S256BL	SURROUND-STEEL CONTEMPORARY 6" FOR 25K BTU INSERT
LP-SC256BL	SURROUND-CI TRADITIONAL FOR 25K BTU INSERT 6" TOPX6" SIDES

## Hearth Products

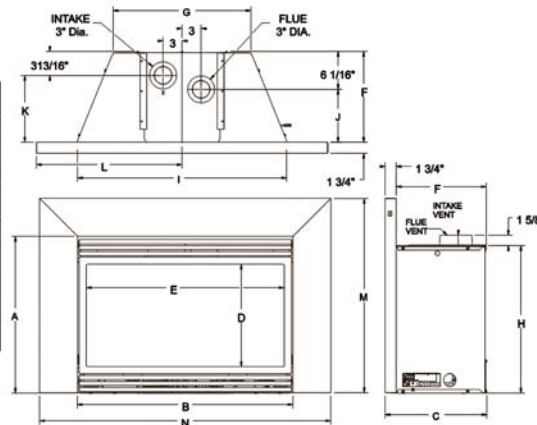
### Fireplaces - Empire

### Innsbrook Direct Vent Inserts

### Innsbrook Medium Direct Vent Insert - 3 x 3 Venting



	DIMENSIONS		DIMENSIONS	
A	22 3/4"	H	21 5/16"	
B	31"	I	30"	
C	16"	J	8 1/4"	
D	14 1/8"	K	10 1/2"	
E	28 1/4"	L	21 1/2"	
F	14 1/4"	M	28 5/8"	
G	18 3/4"	N	43"	



**Innsbrook 33 Direct Vent Insert** — Glass 28 1/4" x 14 1/8", Venting 3" Flex - Innsbrook direct vent inserts fit most wood burning fireplaces. They feature banded brick liners and have dark creamed coffee colored bricks with charcoal mortar in running bond courses plus an accent band of diagonal bricks.

- 33,000 Btu with hand painted ceramic fiber logs
- Specify LP or natural gas
- Millivolt or intermittent pilot
- Includes liner
- Slope glaze flair burner produces natural flickering flames
- Requires surround and decorative front

Several designer options available, contact our Customer Service Department for more information.

PART NUMBER	DESCRIPTION
LP-DV33IN33LN	INSERT-FIREPLACE INNSBROOK DV MILLI 33K BTU NAT BLOWER
LP-DV33IN33LP	INSERT-FIREPLACE INNSBROOK DV MILLI 33K BTU LP BLOWER
LP-DV33IN73LN	INSERT-FIREPLACE INNSBROOK DV IP 33K BTU NAT BLOWER
LP-DV33IN73LP	INSERT-FIREPLACE INNSBROOK DV IP 33K BTU LP BLOWER
LP-S333BL	SURROUND-STEEL CONTEMPORARY FOR DV33IN
LP-S336BL	SURROUND-STEEL CONTEMPORARY 6" FOR 33K BTU INSERT
LP-SC336BL	SURROUND-CI TRADITIONAL 6" FOR 33K BTU INSERT

**Hearth Products**

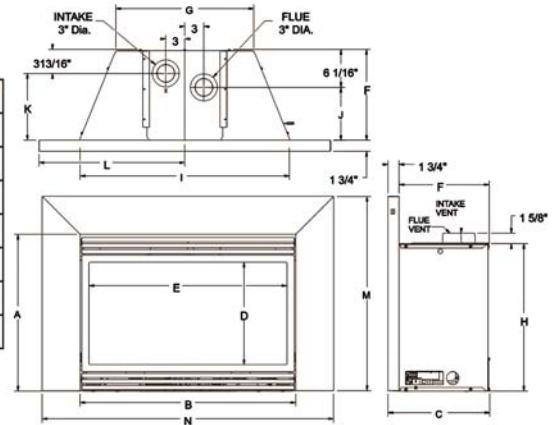
**Fireplaces - Empire**

**Innsbrook Direct Vent Inserts**

**Innsbrook Large Direct Vent Insert - 3 x 3 Venting**



	DIMENSIONS		DIMENSIONS	
A	24 3/4"	H	23 5/16"	
B	34"	I	33"	
C	16"	J	8 1/4"	
D	16 1/8"	K	10 1/2"	
E	31 1/4"	L	23"	
F	14 1/4"	M	30 5/8"	
G	21 3/4"	N	46"	



**Innsbrook 33 Direct Vent Insert** — Glass 31 1/4" x 16 1/8", Venting 3" Flex - Innsbrook direct vent inserts fit most wood burning fireplaces. They feature banded brick liners and have dark creamed coffee colored bricks with charcoal mortar in running bond courses plus an accent band of diagonal bricks.

- 35,000 Btu with hand painted ceramic fiber logs
- Specify LP or natural gas
- Millivolt or intermittent pilot
- Includes liner
- Slope glaze flair burner produces natural flickering flames
- Requires surround and decorative front

Several designer options available, contact our Customer Service Department for more information.

PART NUMBER	DESCRIPTION
LP-DV35IN33LN	INSERT-FIREPLACE INNSBROOK DV MILLI 35K BTU NAT BLOWER
LP-DV35IN33LP	INSERT-FIREPLACE INNSBROOK DV MILLI 35K BTU LP BLOWER
LP-DV35IN73LN	INSERT-FIREPLACE INNSBROOK DV IP 35K BTU NAT BLOWER
LP-DV35IN73LP	INSERT-FIREPLACE INNSBROOK DV IP 35K BTU LP BLOWER
LP-S353BL	SURROUND-STEEL CONTEMPORARY 6" X 3" FOR 35K BTU INSERT
LP-S356BL	SURROUND-STEEL CONTEMPORARY 6" FOR 35K BTU INSERT
LP-SC356BL	SURROUND-CI TRADITIONAL FOR 35K BTU INSERT 6"TOPX6"SIDES

**Innsbrook Insert Venting**

PART NUMBER	DESCRIPTION
LP-SD46DVAGK	KIT-LINEAR TERMINATION
LP-SD46DVAVCH	CAP-HIGH WIND VERTICAL
LP-DVK35	KIT-VENT EXTENSION 17'
LP-DVK1-2P	KIT-VERTICAL VENT 17' SD PRO SERIES
LP-DVVK3FV	KIT-VERTICAL VENT RECTANGULAR TERM CAP 2-3" X 25' FLEXIBLE

**Hearth Products**

**Fireplaces - Empire**

**Heritage Stoves - 4 x 6-5/8 Venting**



**HERITAGE**  
Premium Gas Stoves

**Heritage Premium Direct Vent Cast Iron Gas Stove with Ceramic Burner** — Venting 4" x 6 5/8" - Heritage stoves come standard with an expanded slope glaze burner system which adds an extra inch of ember bed. Topped off with the hand painted ceramic fiber log set, the effect is stunningly realistic. The contemporary single arch design features fully operable decorative cast iron doors on durable lift pin hinges that swing open 180°.

- 26,500 Btu with hand painted ceramic fiber log set
- Specify LP or natural gas
- Ships fully assembled
- Millivolt control

Several designer options available, contact our Customer Service Department for more information.

PART NUMBER	DESCRIPTION
LP-DVP30CC30BP	STOVE-HERITAGE DV MILLI 26.5 BTU LP PORCELAIN BLK NO BLOWER
LP-DVP30CC30FN	STOVE-HERITAGE DV MILLI 26.5 BTU NAT MATTE BLACK NO BLOWER
LP-DVP30CC30FP	STOVE-HERITAGE DV MILLI 26.5 BTU LP MATTE BLACK NO BLOWER
LP-DVP30CC30MP	STOVE-HERITAGE DV MILLI 26.5 BTU LP PORCE MAHOGANY NO BLOW

# NOTES

---



Mantis



G-CLASS



IN-WALL



INSERT - BAY



PEDESTAL

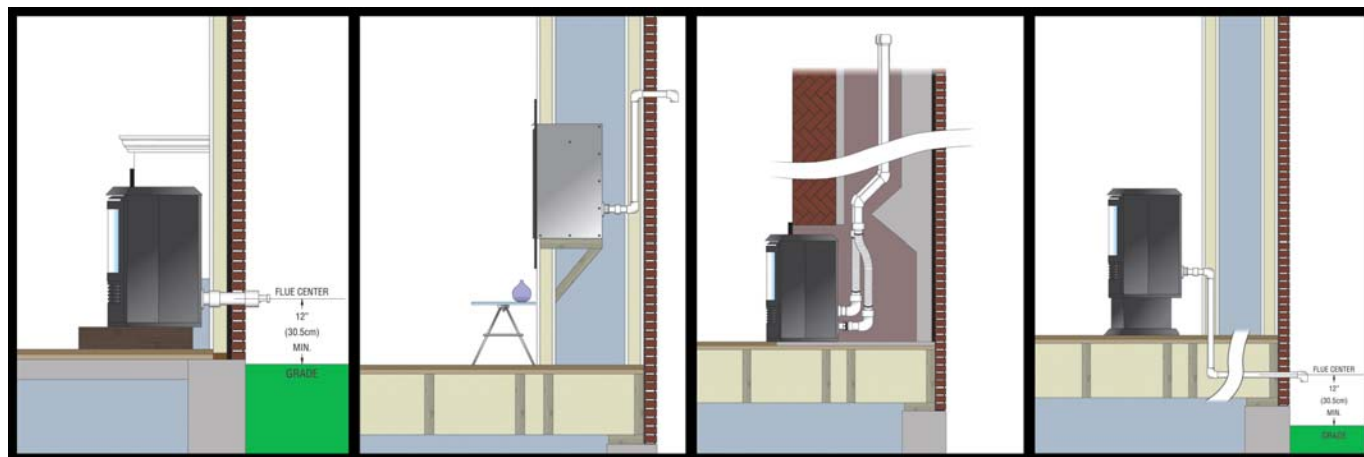
*Mantis™*  
by Empire Comfort Systems

**Mantis – “The World’s Most Efficient and Versatile Fireplace System”** - The Mantis exceeds 90% efficiency, which means it uses about 35 percent less fuel compared to any other vented fireplace system per Btu. A three stage heat exchanger captures more than 93 percent of the heat energy from the burner and directs this warm air into your home. Inexpensive 1 ½" PVC vent pipe can be run inside a conventional 2 x 4 framed wall, reducing installation costs. For co-linear direct vent or single vent installations.

- 9,000 to 28,000 Btu
- Exceeds 90% efficiency
- Humidifies as it heats
- Installs as a fireplace, insert or freestanding stove
- Installs as a direct vent or single vent system
- Uses PVC Pipe for low cost venting installation

**Versatile Installation** - With the power vented exhaust and intake made from PVC, the venting options are numerous. Install the Mantis as a direct vent co-axial system, as a direct vent co-linear, or as a single vent system. Using PVC for venting significantly reduces installation time and cost and requires cutting a much smaller opening in the home’s exterior than is required for conventional metal venting. Any vent configuration may be used with the any Mantis package. Fireplaces include PVC vent adaptors. Lengths of 1 ½" PVC to complete the vent run are available at your local hardware store.

Several fireplace packages to choose from: standard fireplace, picture frame, insert or bay window fireplace, bay window insert and bay window pedestal.



Hearth Products

## Hearth Products

### Fireplaces - Empire

#### Mantis



PART NUMBER	DESCRIPTION
LP-FG28BMLP	FIREPLACE-MANTIS G-CLASS DV FREE STANDING 10K BTU LP BLOWER
LP-FF28BMP	FIREPLACE-MANTIS DV IN WALL 13K BTU LP BLOWER
LP-FF28BMN	FIREPLACE-MANTIS DV IN WALL 28K BTU NAT BLOWER
LP-BF28BMP	FIREPLACE-MANTIS BAY WINDOW DV 9K BTU LP BLOWER
LP-FI28BMP	INSERT-MANTIS DV 13K BTU LP BLOWER
LP-FI28BMN	INSERT-MANTIS DV 28K BTU NAT BLOWER
LP-BI28BMP	INSERT-MANTIS BAY WINDOW DV 9K BTU LP BLOWER
LP-BI28BMN	INSERT-MANTIS BAY WINDOW DV 28K BTU NAT BLOWER
LP-BP28BMP	STOVE-MANTIS BAY WINDOW DV FREE STANDING 9K BTU LP BLOWER

#### Mantis Co-Linear Vent Accessories

PART NUMBER	DESCRIPTION
LP-PVKFC	KIT-VENT SINGLE THREADED PVC FLANGE COUPLING 1-1/2"
LP-PVKCFA	VENT KIT-VERTICAL
LP-PVTC	CAP-TERMINATION VENT KIT

#### Mantis Single Vent Accessories

PART NUMBER	DESCRIPTION
LP-PVKFC	KIT-VENT SINGLE THREADED PVC FLANGE COUPLING 1-1/2"
LP-PVCA	ADAPTER-VENT KIT COLINEAR
LP-PVTC	CAP-TERMINATION VENT KIT

#### Mantis Direct Vent Co-Axial

PART NUMBER	DESCRIPTION
LP-PVK24H	KIT-VENT DV 24" MANTIS

**Hearth Products****Fireplaces - Empire****Venting Accessories - 4" X 6-5/8"**

<b>PART NUMBER</b>	<b>DESCRIPTION</b>
LP-DVKHP45	KIT-VENT HORIZONTAL RUN LESS DVKA-1 ADAPTER W/ELBOW
LP-DVVK3FV	KIT-VERTICAL VENT RECTANGULAR TERM CAP 2-3" X 25' FLEXIBLE
LP-DVVK4F	VENT KIT-4" X 7" X 4' FLEXIBLE
LP-DVVK4RP	KIT-VENT REAR STD THRU THE WALL DV
LP-DVVK4TP	KIT-VENT TOP STD THRU THE WALL DV
LP-SD46DVA06	PIPE-6" GALVANIZED VENT
LP-SD46DVA06B	PIPE-6" BLACK VENT
LP-SD46DVA08A	PIPE-EXT 3"-7" GALV
LP-SD46DVA08AB	PIPE-EXT 3"-7" BLACK
LP-SD46DVA09	PIPE-9" GALVANIZED VENT
LP-SD46DVA09B	PIPE-9" BLACK VENT
LP-SD46DVA12	PIPE-12" GALVANIZED VENT
LP-SD46DVA12B	PIPE-12" BLACK VENT
LP-SD46DVA16A	PIPE-EXT GALV DV 3"-15" ADJ
LP-SD46DVA24	PIPE-24" GALVANIZED VENT
LP-SD46DVA24B	PIPE-24" BLACK VENT
LP-SD46DVA36	PIPE-36" GALVANIZED VENT
LP-SD46DVA36B	PIPE-36" BLACK VENT
LP-SD46DVA48	PIPE-48" GALVANIZED
LP-SD46DVA48B	PIPE-48" BLACK VENT
LP-SD46DVA60	PIPE-60" GALVANIZED VENT
LP-SD46DVA60B	PIPE-60" BLACK VENT
LP-SD46DVADC	THIMBLE-COVER
LP-SD46DVAE45	ELBOW-45 DEG GALVANIZED VENT
LP-SD46DVAE45B	ELBOW-45 DEG BLACK VENT
LP-SD46DVAE90	ELBOW-90 DEG GALVANIZED VENT
LP-SD46DVAE90B	ELBOW-90 DEG BLACK VENT
LP-SD46DVAF6	FLASHING-ADJ ROOF 0/12-6/12
LP-SD46DVAFS	FIRESTOP-CEILING GALVANIZED
LP-SD46DVAGK	KIT-LINEAR TERMINATION
LP-SD46DVAHC	CAP-HIGH WIND TERM HOR/SQ
LP-SD46DVASC	COLLAR-STORM GALVANIZED
LP-SD46DVASNK14	SNORKEL-14" VENTING
LP-SD46DVASNK36	SNORKEL-36" VENTING
LP-SD46DVAVCH	CAP-HIGH WIND VERTICAL
LP-SD46DVAVSS	KIT-VINYL SIDING STANDOFF
LP-SD46DVAWFS	FIRESTOP-WALL
LP-SD46DVAWS	SUPPORT-WALL STRAP
LP-SD46DVAWT	THIMBLE-WALL GALV

## Hearth Products

### Fireplaces - Empire

#### Venting Accessories - 5" X 8"

PART NUMBER	DESCRIPTION
LP-SD58DVA06	PIPE-6" GALVANIZED
LP-SD58DVA08A	PIPE-ADJ 3" X 7" GALVANIZED
LP-SD58DVA09	PIPE-9" GALVANIZED
LP-SD58DVA12	PIPE-12" GALVANIZED
LP-SD58DVA16A	PIPE-EXT 3" X 5" ADJ GALV
LP-SD58DVA24	PIPE-24" GALVANIZED
LP-SD58DVA36	PIPE-36" GALVANIZED
LP-SD58DVA48	PIPE-48" GALVANIZED
LP-SD58DVA60	PIPE-60" GALVANIZED
LP-SD58DVAE45	ELBOW-45 DEG GALVANIZED
LP-SD58DVAE90	ELBOW-90 DEG GALVANIZED
LP-SD58DVAF6	FLASHING-ADJ ROOF 0/12-6/12
LP-SD58DVAFS	FIRESTOP-CEILING
LP-SD58DVAHC	CAP-HORIZONTAL SQ
LP-SD58DVASC	COLLAR-STORM
LP-SD58DVAVCH	CAP-HIGH WIND TERM VERT
LP-SD58DVAVSS	KIT-VINYL SIDING STANDOFF
LP-SD58DVAWFS	FIRESTOP-WALL
LP-SD58DVAWT	THIMBLE-WALL REDUCED
LP-DVVK5F	KIT-VENT 5" X 8" X 4' FLEXIBLE
LP-DVVK5RP	KIT-VENT REAR STD THRU THE WALL DV
LP-DVVK5TP	KIT-VENT TOP THRU WALL DV

#### Insert Vent Accessories

PART NUMBER	DESCRIPTION
LP-SD46DVAACL33	KIT-HI WIND VERTICAL CO-LINEAR 3" X 35'
LP-DVVK3FV	KIT-VERTICAL VENT RECTANGULAR TERM CAP 2-3" X 25' FLEXIBLE
LP-DVK35	KIT-VENT EXTENSION 17'
LP-SD46DVAGK	KIT-LINEAR TERMINATION
LP-SD46DVAVCH	CAP-HIGH WIND VERTICAL